

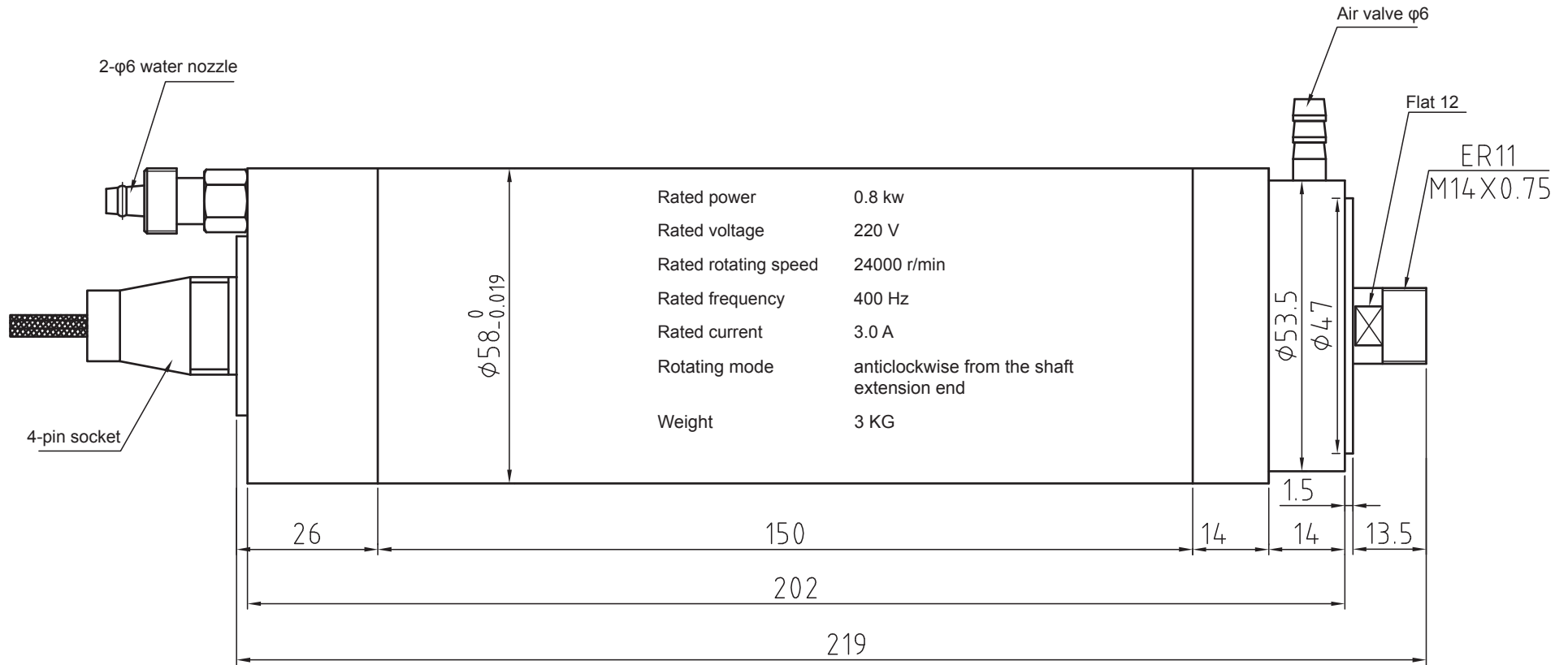
ТОВ "РЕФІТ"

ЕЛЕКТРОШПИНДЕЛІ НАНQІ GDK (водяне охолодження)



засоби автоматизації і деталі машин до станків з ЧПУ

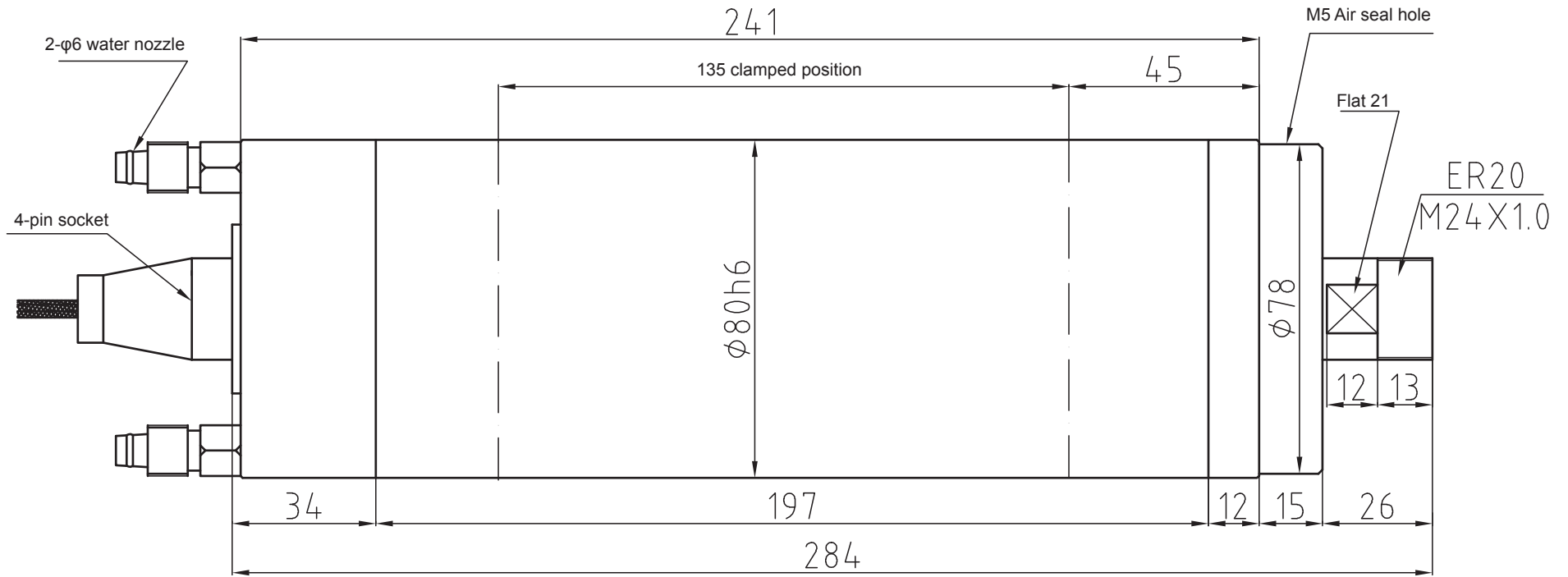
WWW.REFIT.COM.UA



Wiring description

Pin	4-pin socket
1	U frequency converter phase
2	V frequency converter phase
3	W frequency converter phase
4	Wiring ground ⊕

						Changzhou Hanqi Electric Co., Ltd.		
Marks	Number of places	Zoning	Modified document number	Signature	Date	Phase mark	Weight	Scale
Designed by			Standardized by					
Reviewed by								
Processed by			Approved by			Total page(s)	Page	
						GDK58-24Z/0.8		



GDK80-24Z/2.2

Wiring description

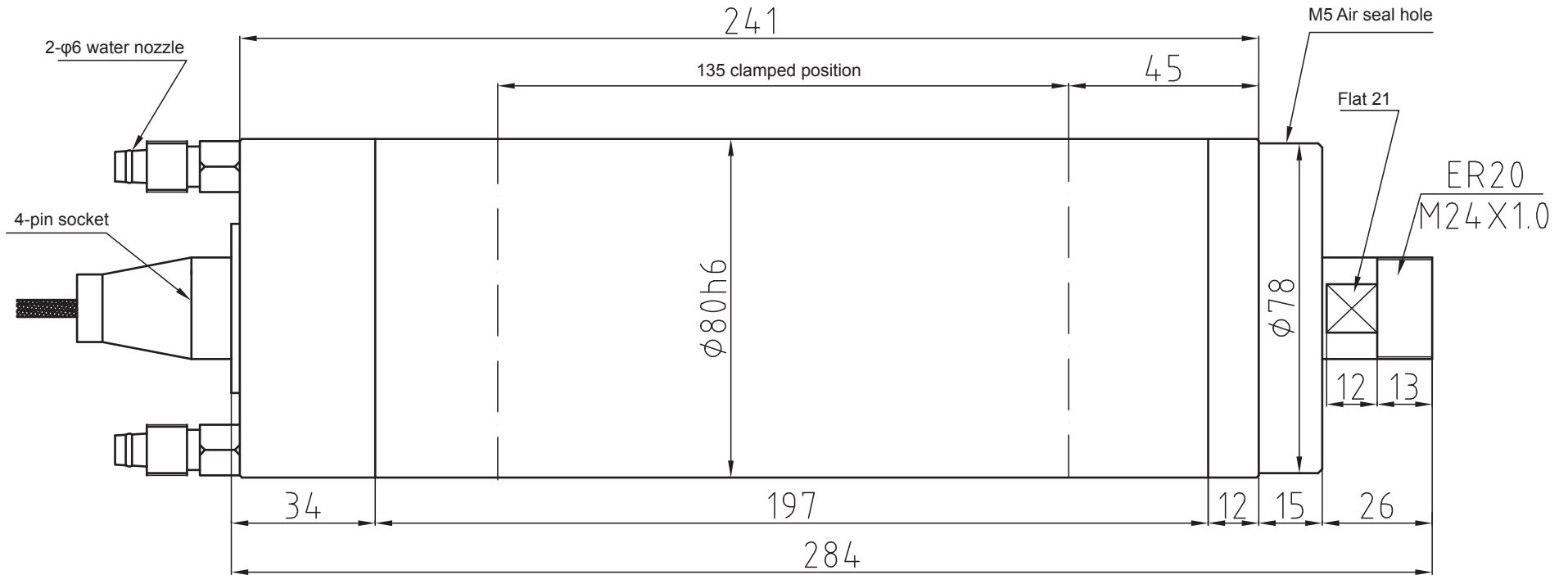
Pin	4-pin socket
1	U frequency converter phase
2	V frequency converter phase
3	W frequency converter phase
4	Wiring ground

Rated power	2.2 kw
Rated voltage	220V
Rated rotating speed	24000 r/min
Rated frequency	400 Hz
Rated current	7.6 A
ER nut	ER-20
Bearing model	7005C×2 7002C×2
Bearing lubrication	Grease lubrication
Weight	8 KG
Rotating mode	anticlockwise from the shaft extension end

Special warning:

1. The electric main shaft shall be installed at the clamped position; otherwise the bearing will be easily damaged!
2. The compressed air shall be dry and clean, and the filtering accuracy shall be 0.1 micron! Atmospheric pressure is 0.1- 0.2MPa, and the air seal shall be normally open. It is recommended to use the two-level filtration, with the filtration accuracy of 0.5 micron/0.1 micron respectively, and the air filter shall have automatic discharge device.

						Two-pole 220V		
						Outline diagram		
Marks	Number of places	Zoning	Modified document number	Signature	Date			GDK80-24Z/2.2
Designed by			Standardized by			Phase mark	Weight	
Reviewed by								
Processed by			Approved by			Total page(s)	Page	



GDK80-24Z/2.2

Wiring description

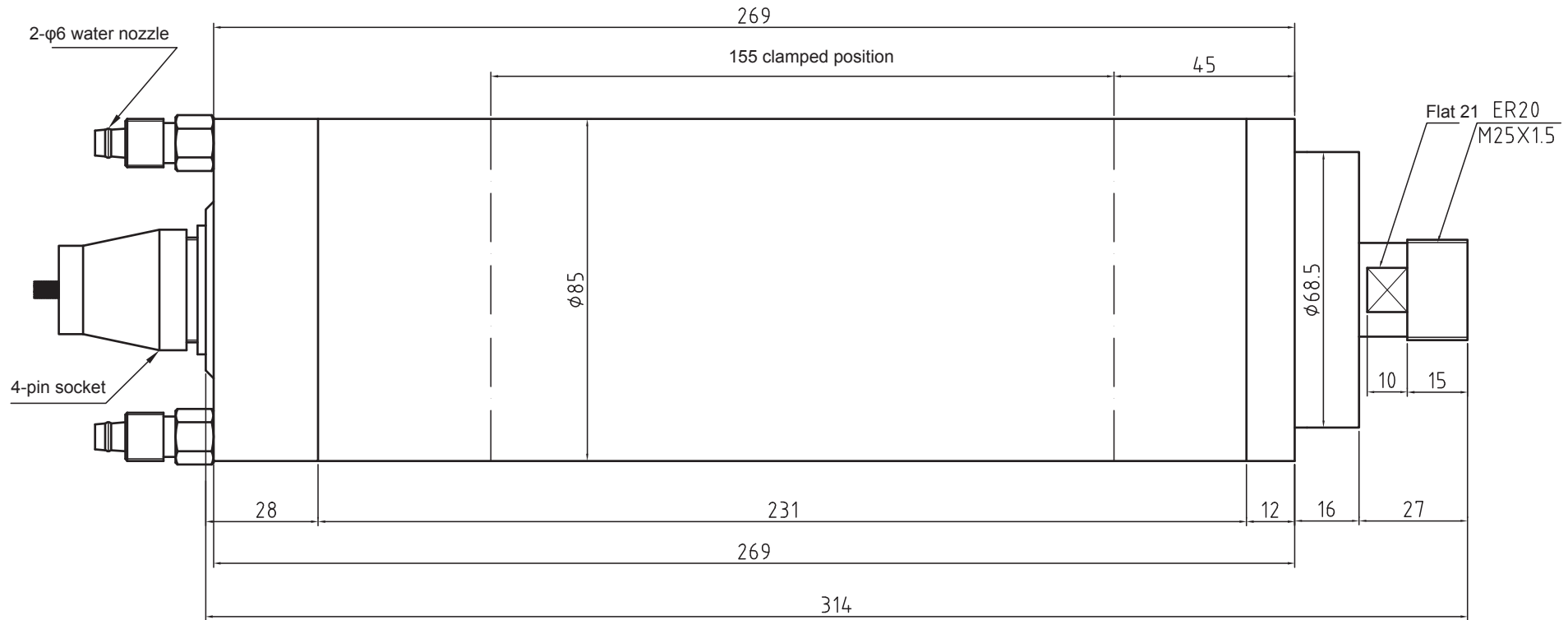
Pin	4-pin socket
1	U frequency converter phase
2	V frequency converter phase
3	W frequency converter phase
4	Wiring ground

Rated power	2.2 kw
Rated voltage	380V
Rated rotating speed	24000 r/min
Rated frequency	400 Hz
Rated current	4.4 A
ER nut	ER-20
Bearing model	7005C×2 7002C×2
Bearing lubrication	Grease lubrication
Weight	8 KG
Rotating mode	anticlockwise from the shaft extension end

Special warning:

1. The electric main shaft shall be installed at the clamped position; otherwise the bearing will be easily damaged!
2. The compressed air shall be dry and clean, and the filtering accuracy shall be 0.1 micron! Atmospheric pressure is 0.1- 0.2MPa, and the air seal shall be normally open. It is recommended to use the two-level filtration, with the filtration accuracy of 0.5 micron/0.1 micron respectively, and the air filter shall have automatic discharge device.

						Two-pole 380V			
						Outline diagram			
						GDK80-24Z/2.2			
Marks	Number of places	Zoning	Modified document number	Signature	Date	Phase mark		Weight	Scale
Designed by			Standardized by						
Reviewed by									
Processed by			Approved by			Total page(s)		Page	



Wiring description

Pin	4-pin socket
1	U frequency converter phase
2	V frequency converter phase
3	W frequency converter phase
4	Wiring ground \oplus

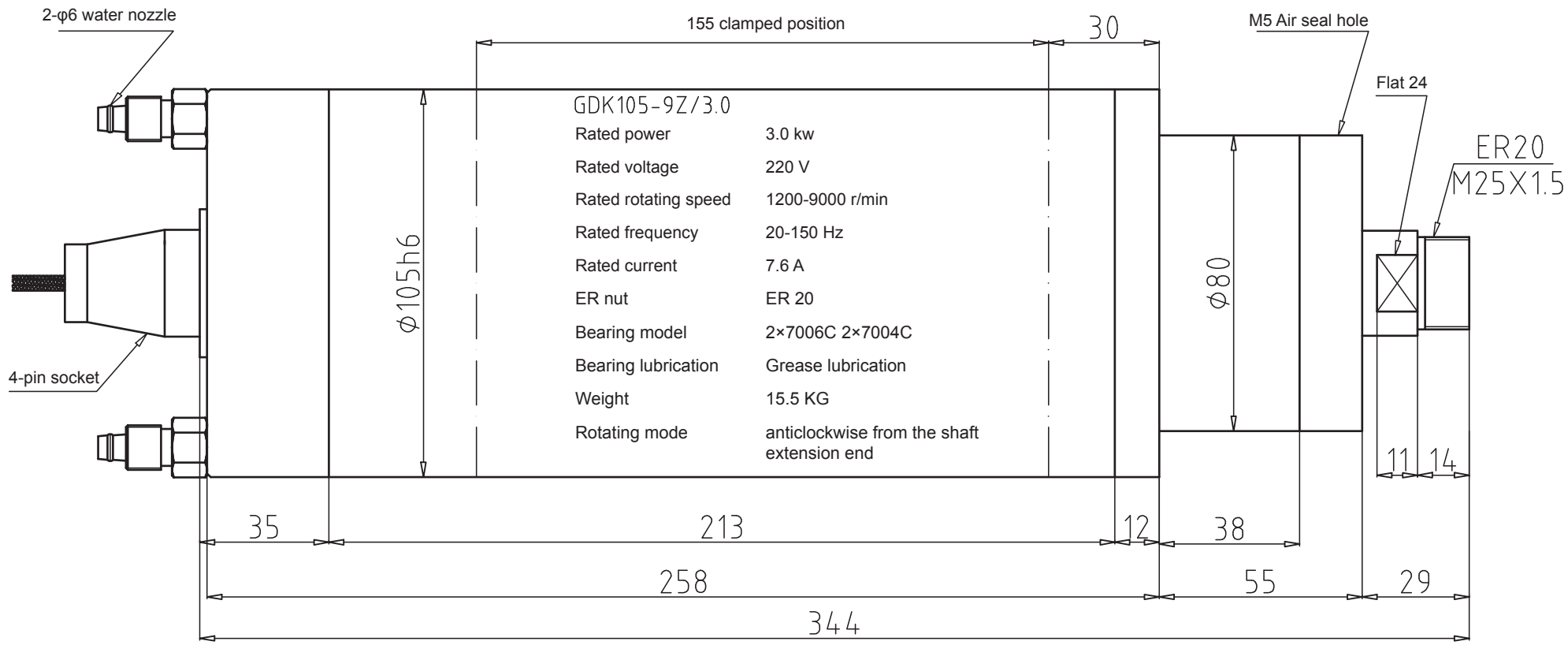
GDK85-24Z/2.2-BJ

Rated power	2.2 kw
Rated voltage	220V
Rated rotating speed	24000 r/min
Rated frequency	400 Hz
Rated current	7.6 A
ER nut	ER-20
Bearing model	7005C×2 7002C×2/Steel ball
Bearing lubrication	Grease lubrication
Weight	10 KG
Rotating mode	anticlockwise from the shaft extension end

Special warning:

1. The electric main shaft shall be installed at the clamped position; otherwise the bearing will be easily damaged!
2. The compressed air shall be dry and clean, and the filtering accuracy shall be 0.1 micron! Atmospheric pressure is 0.1- 0.2MPa, and the air seal shall be normally open. It is recommended to use the two-level filtration, with the filtration accuracy of 0.5 micron/0.1 micron respectively, and the air filter shall have automatic discharge device.

						220V			
						Outline diagram			
Marks	Number of places	Zoning	Modified document number	Signature	Date	Phase mark		Weight	Scale
Designed by			Standardized by						
Reviewed by									
Processed by			Approved by			Total page(s)		Page	
						GDK85-24Z/2.2-BJ			



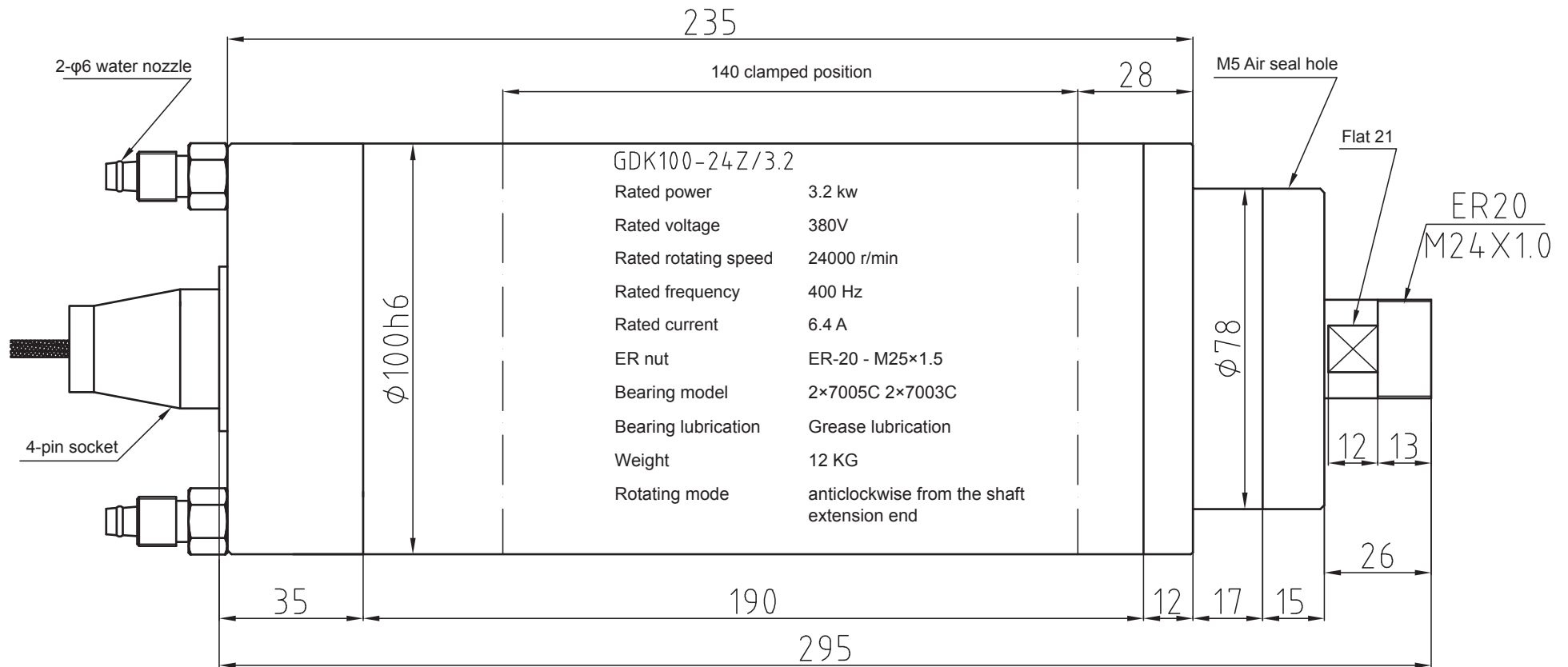
Special warning:

1. The electric main shaft shall be installed at the clamped position; otherwise the bearing will be easily damaged!
2. The compressed air shall be dry and clean, and the filtering accuracy shall be 0.1 micron! Atmospheric pressure is 0.1- 0.2MPa, and the air seal shall be normally open. It is recommended to use the two-level filtration, with the filtration accuracy of 0.5 micron/0.1 micron respectively, and the air filter shall have automatic discharge device.

Wiring description

Pin	4-pin socket
1	U frequency converter phase
2	V frequency converter phase
3	W frequency converter phase
4	Wiring ground \oplus

						220V		
						Outline diagram		
						GDK105 drilling press spindle		
Marks	Number of places	Zoning	Modified document number	Signature	Date			
Designed by			Standardized by			Phase mark	Weight	Scale
Reviewed by								
Processed by			Approved by			Total page(s)	Page	



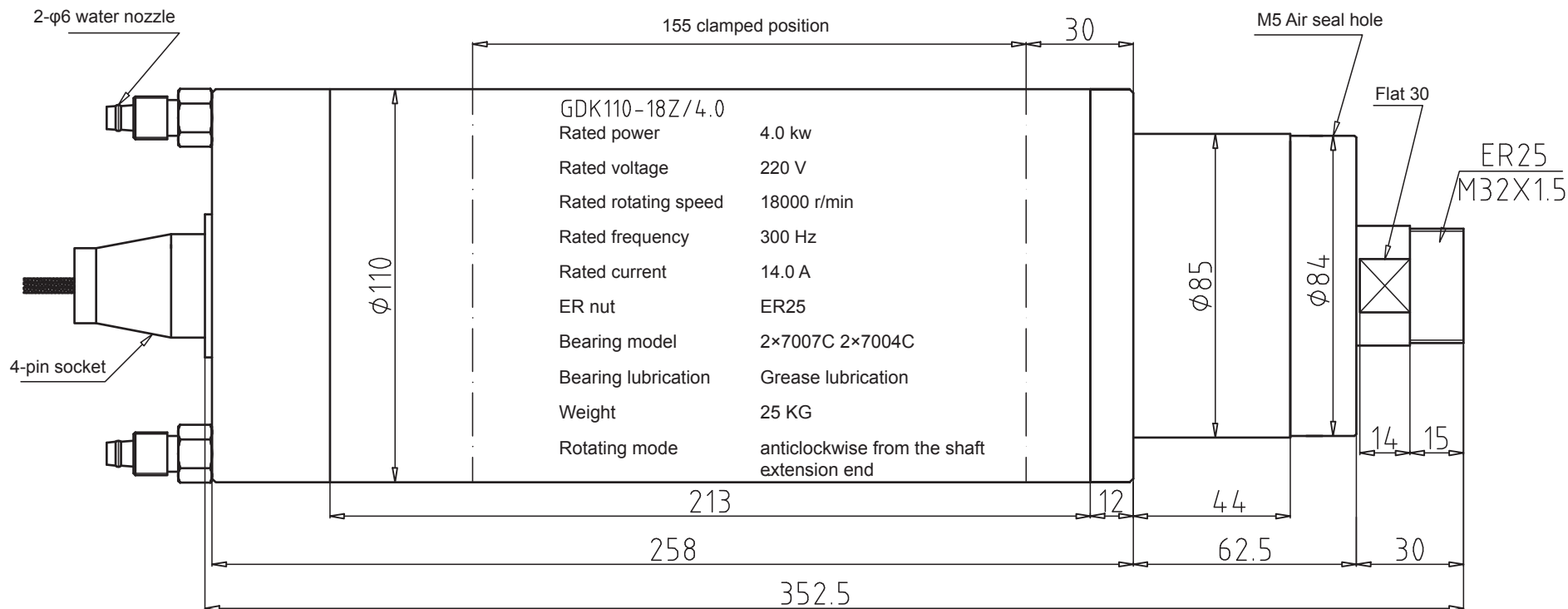
Wiring description

Pin	4-pin socket
1	U frequency converter phase
2	V frequency converter phase
3	W frequency converter phase
4	Wiring ground \oplus

Special warning:

1. The electric main shaft shall be installed at the clamped position; otherwise the bearing will be easily damaged!
2. The compressed air shall be dry and clean, and the filtering accuracy shall be 0.1 micron! Atmospheric pressure is 0.1- 0.2MPa, and the air seal shall be normally open. It is recommended to use the two-level filtration, with the filtration accuracy of 0.5 micron/0.1 micron respectively, and the air filter shall have automatic discharge device.

						Six-pole constant torque 380V		
						Outline diagram		
						GDK100-24Z/3.2		
Marks	Number of places	Zoning	Modified document number	Signature	Date	Phase mark	Weight	Scale
Designed by			Standardized by					
Reviewed by								
Processed by			Approved by			Total page(s)	Page	



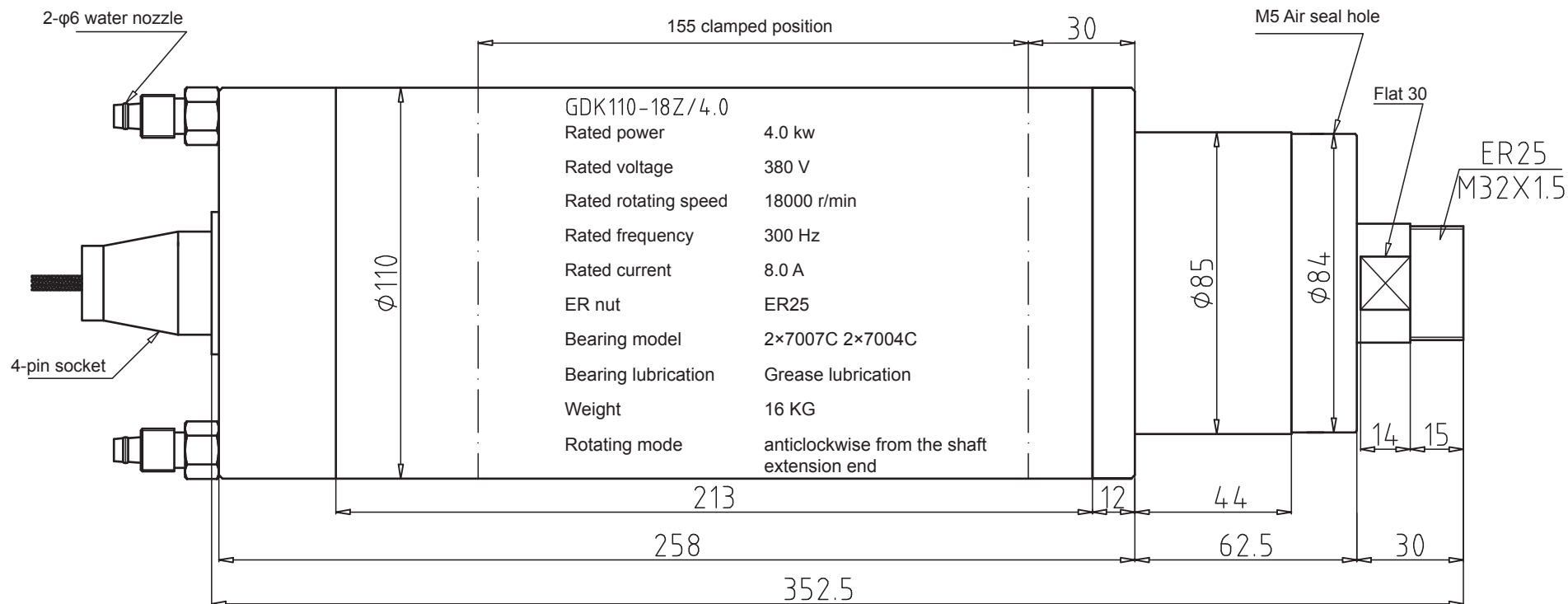
Wiring description

Pin	4-pin socket
1	U frequency converter phase
2	V frequency converter phase
3	W frequency converter phase
4	Wiring ground \oplus

Special warning:

1. The electric main shaft shall be installed at the clamped position; otherwise the bearing will be easily damaged!
2. The compressed air shall be dry and clean, and the filtering accuracy shall be 0.1 micron! Atmospheric pressure is 0.1- 0.2MPa, and the air seal shall be normally open. It is recommended to use the two-level filtration, with the filtration accuracy of 0.5 micron/0.1 micron respectively, and the air filter shall have automatic discharge device.

						220V			
						Outline diagram			
Marks	Number of places	Zoning	Modified document number	Signature	Date	Phase mark		Weight	Scale
Designed by			Standardized by						
Reviewed by									
Processed by			Approved by			Total page(s)		Page	
						GDK110-18Z/4.0			



Wiring description

Pin	4-pin socket
1	U frequency converter phase
2	V frequency converter phase
3	W frequency converter phase
4	Wiring ground \oplus

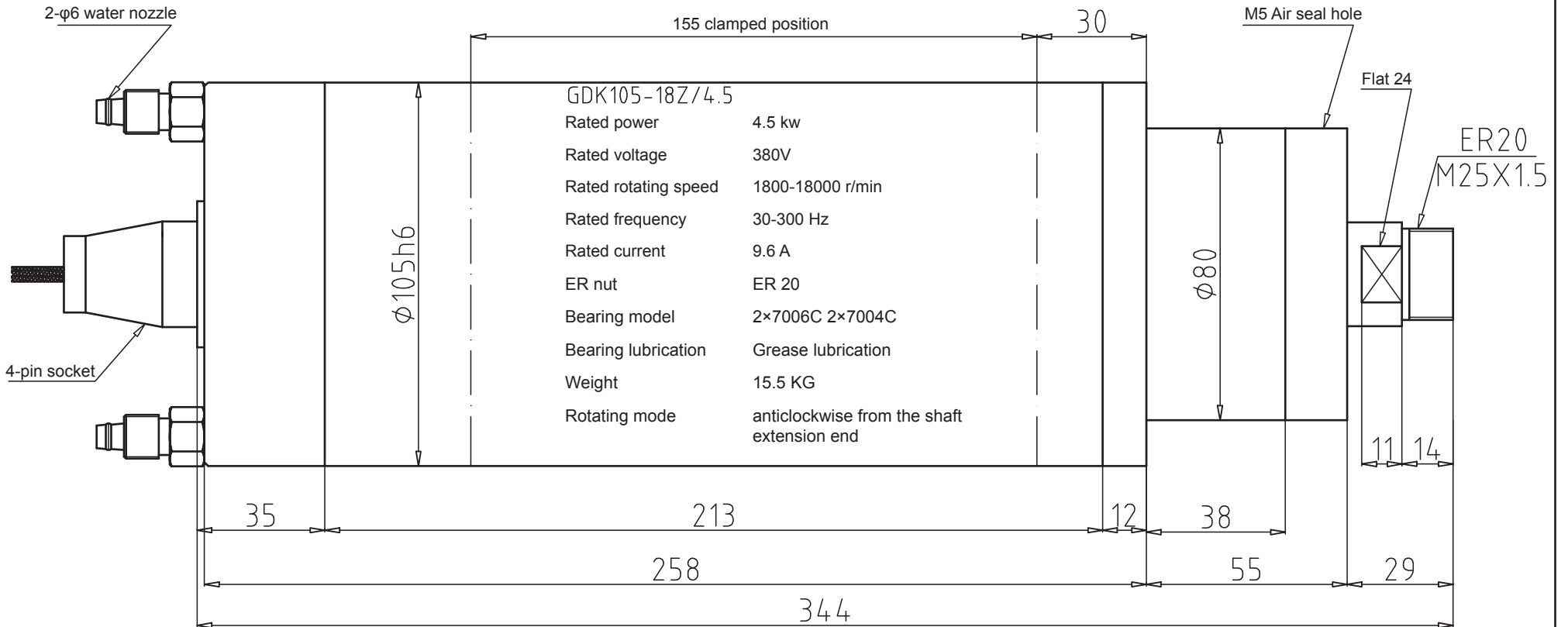
Special warning:

1. The electric main shaft shall be installed at the clamped position; otherwise the bearing will be easily damaged!
2. The compressed air shall be dry and clean, and the filtering accuracy shall be 0.1 micron! Atmospheric pressure is 0.1- 0.2MPa, and the air seal shall be normally open. It is recommended to use the two-level filtration, with the filtration accuracy of 0.5 micron/0.1 micron respectively, and the air filter shall have automatic discharge device.

Marks	Number of places	Zoning	Modified document number	Signature	Date			
Designed by			Standardized by			Phase mark	Weight	Scale
Reviewed by								
Processed by			Approved by			Total page(s)	Page	

Outline diagram

GDK110-18Z/4.0



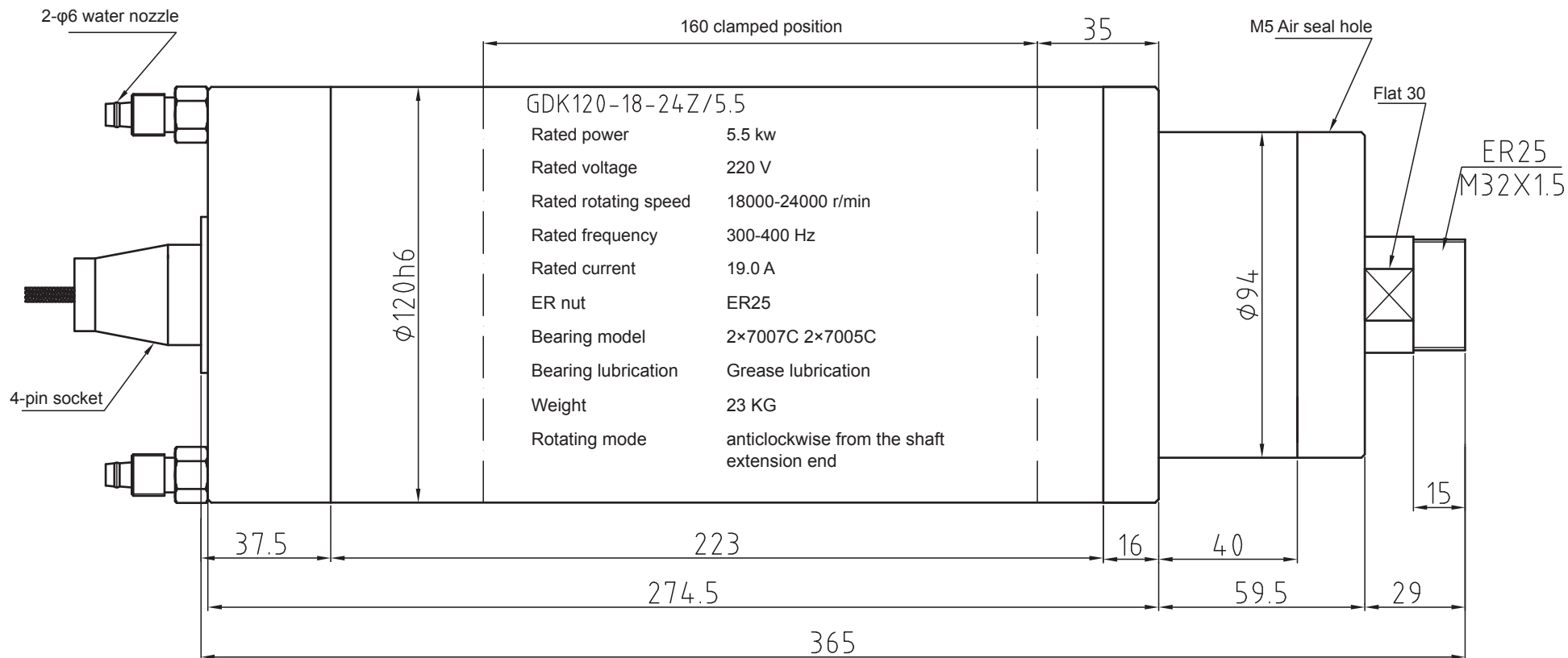
Wiring description

Pin	4-pin socket
1	U frequency converter phase
2	V frequency converter phase
3	W frequency converter phase
4	Wiring ground \oplus


Special warning:

1. The electric main shaft shall be installed at the clamped position; otherwise the bearing will be easily damaged!
2. The compressed air shall be dry and clean, and the filtering accuracy shall be 0.1 micron! Atmospheric pressure is 0.1- 0.2MPa, and the air seal shall be normally open. It is recommended to use the two-level filtration, with the filtration accuracy of 0.5 micron/0.1 micron respectively, and the air filter shall have automatic discharge device.

						380V		
						Outline diagram		
						GDK105 drilling press spindle		
Marks	Number of places	Zoning	Modified document number	Signature	Date	Phase mark	Weight	Scale
Designed by			Standardized by					
Reviewed by								
Processed by			Approved by			Total page(s)	Page	



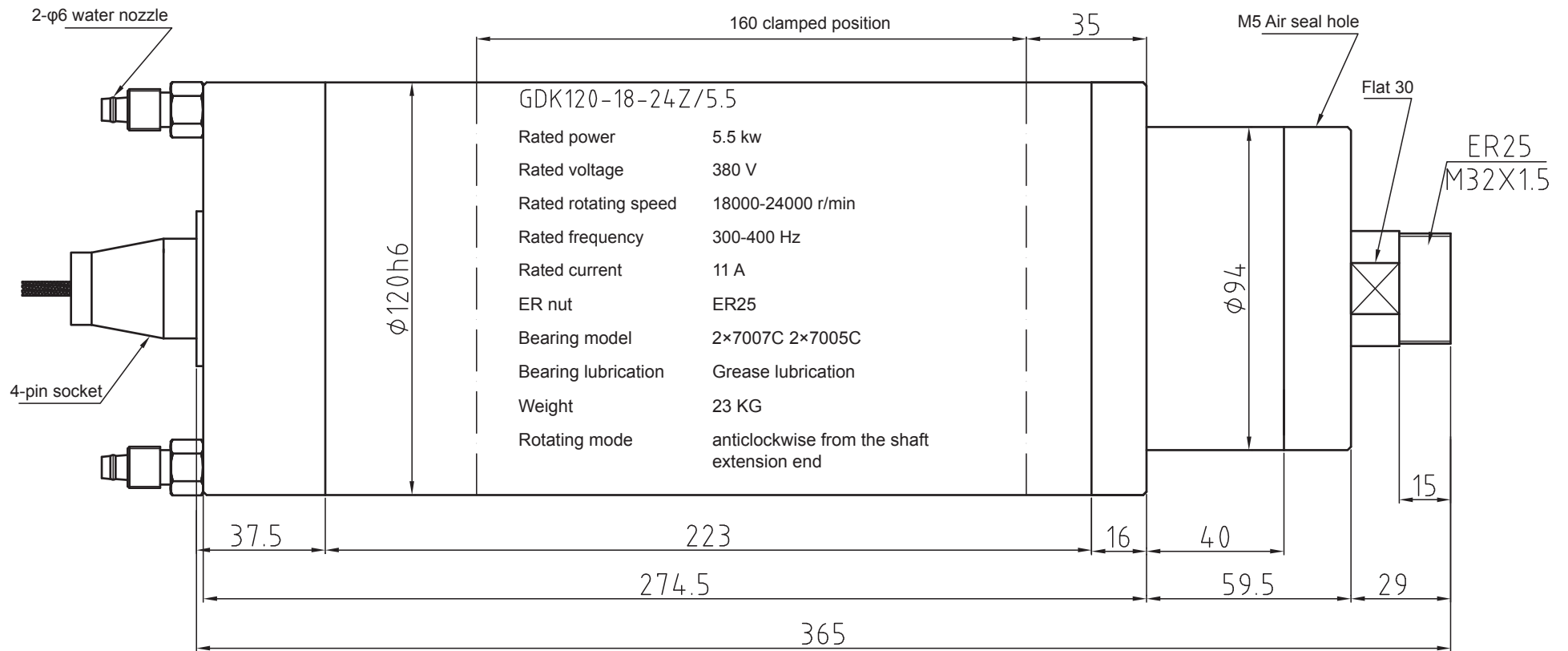
Wiring description

Pin	4-pin socket
1	U frequency converter phase
2	V frequency converter phase
3	W frequency converter phase
4	Wiring ground 

Special warning:

1. The electric main shaft shall be installed at the clamped position; otherwise the bearing will be easily damaged!
2. The compressed air shall be dry and clean, and the filtering accuracy shall be 0.1 micron! Atmospheric pressure is 0.1- 0.2MPa, and the air seal shall be normally open. It is recommended to use the two-level filtration, with the filtration accuracy of 0.5 micron/0.1 micron respectively, and the air filter shall have automatic discharge device.

						Two-pole 220V		
						Outline diagram		
						GDK120-18-24Z/5.5		
Marks	Number of places	Zoning	Modified document number	Signature	Date			
Designed by			Standardized by			Phase mark	Weight	Scale
Reviewed by								
Processed by			Approved by			Total page(s)	Page	



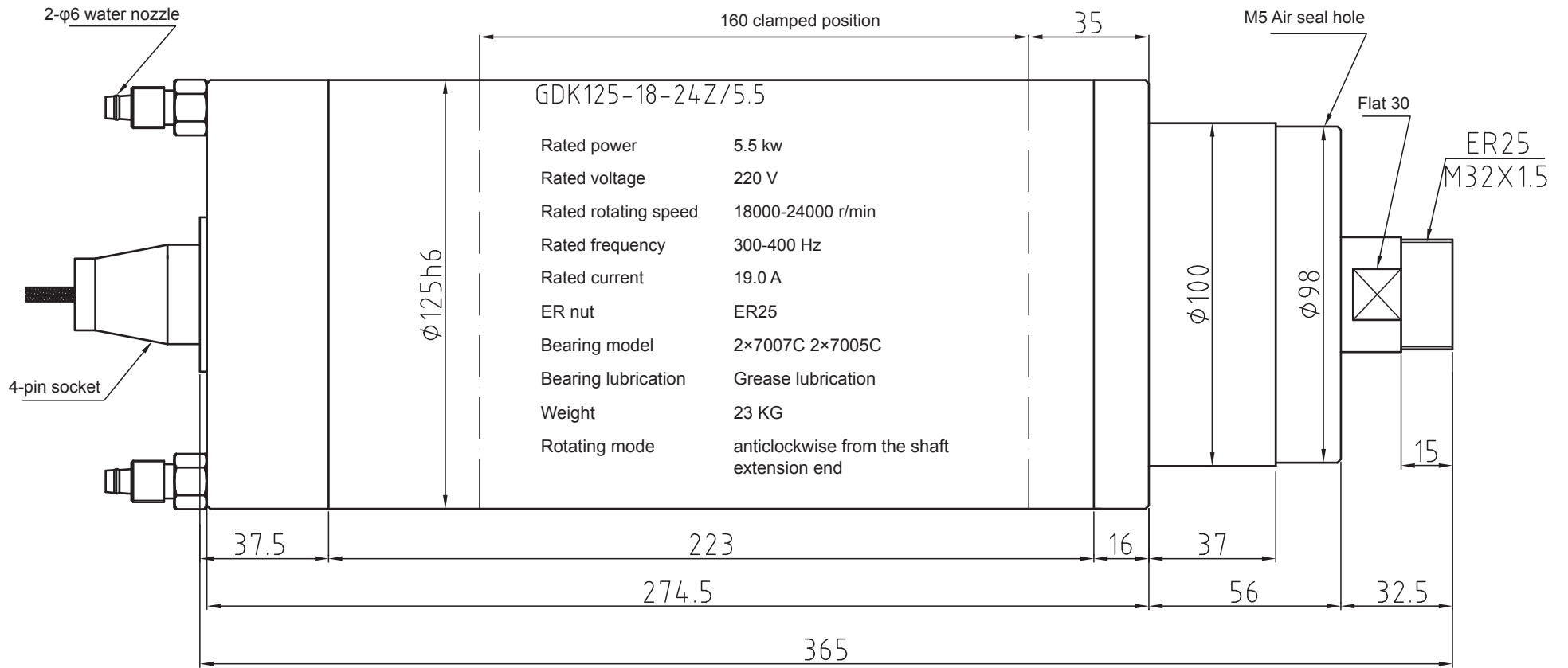
Wiring description

Pin	4-pin socket
1	U frequency converter phase
2	V frequency converter phase
3	W frequency converter phase
4	Wiring ground

Special warning:

1. The electric main shaft shall be installed at the clamped position; otherwise the bearing will be easily damaged!
2. The compressed air shall be dry and clean, and the filtering accuracy shall be 0.1 micron! Atmospheric pressure is 0.1- 0.2MPa, and the air seal shall be normally open. It is recommended to use the two-level filtration, with the filtration accuracy of 0.5 micron/0.1 micron respectively, and the air filter shall have automatic discharge device.

						Two-pole 380V		
						Outline diagram		
						GDK120-18-24Z/5.5		
Marks	Number of places	Zoning	Modified document number	Signature	Date			
Designed by			Standardized by			Phase mark	Weight	Scale
Reviewed by								
Processed by			Approved by			Total page(s)	Page	



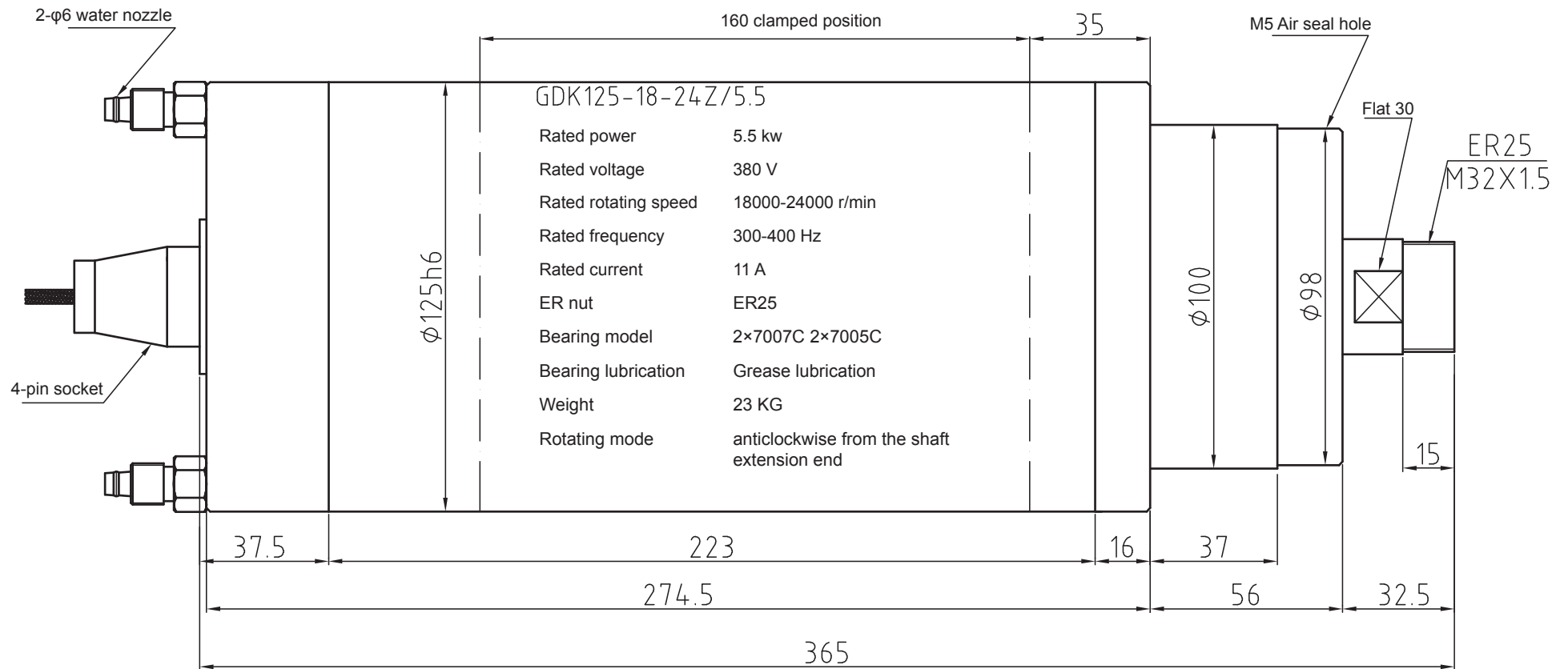
Wiring description

Pin	4-pin socket
1	U frequency converter phase
2	V frequency converter phase
3	W frequency converter phase
4	Wiring ground

Special warning:

- The electric main shaft shall be installed at the clamped position; otherwise the bearing will be easily damaged!
- The compressed air shall be dry and clean, and the filtering accuracy shall be 0.1 micron! Atmospheric pressure is 0.1- 0.2MPa, and the air seal shall be normally open. It is recommended to use the two-level filtration, with the filtration accuracy of 0.5 micron/0.1 micron respectively, and the air filter shall have automatic discharge device.

						Two-pole 220V		
						Outline diagram		
						GDK125-18-24Z/5.5		
Marks	Number of places	Zoning	Modified document number	Signature	Date			
Designed by			Standardized by			Phase mark	Weight	Scale
Reviewed by								
Processed by			Approved by			Total page(s)	Page	



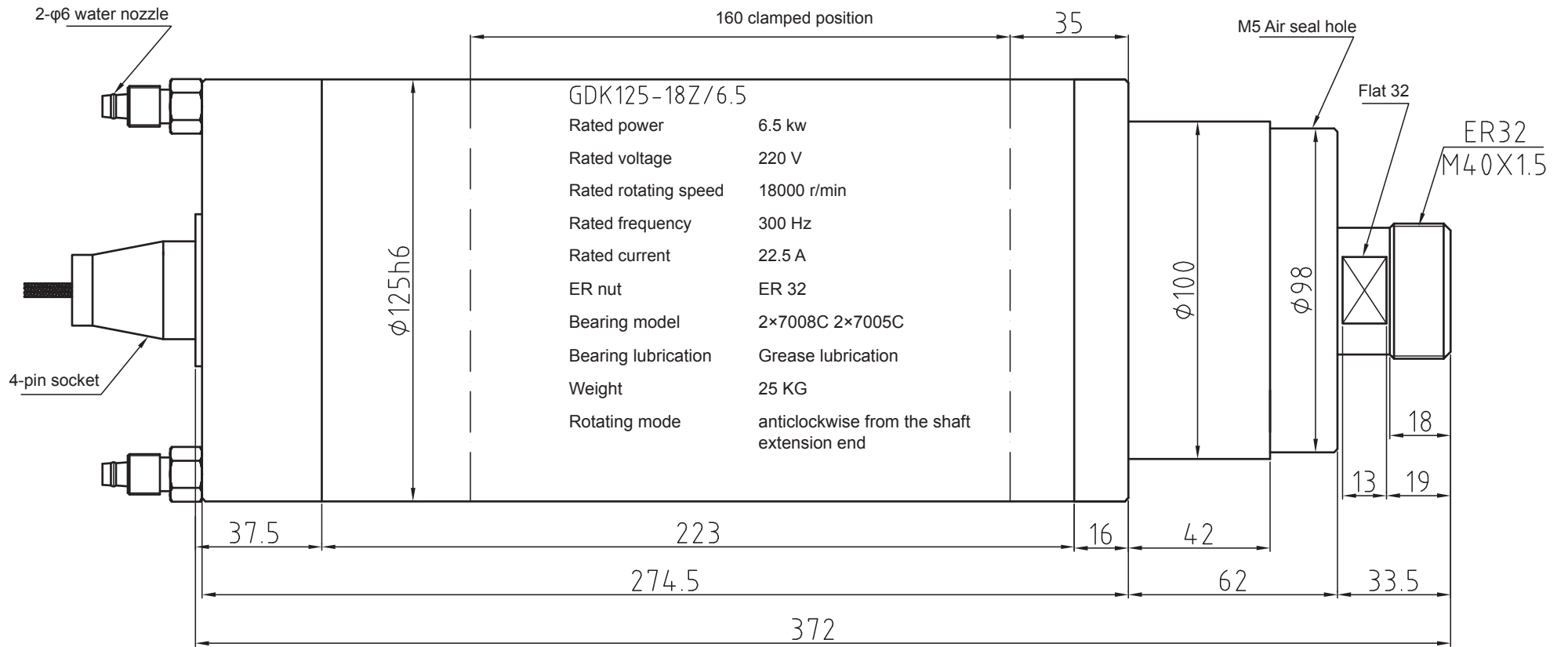
Wiring description

Pin	4-pin socket
1	U frequency converter phase
2	V frequency converter phase
3	W frequency converter phase
4	Wiring ground


Special warning:

1. The electric main shaft shall be installed at the clamped position; otherwise the bearing will be easily damaged!
2. The compressed air shall be dry and clean, and the filtering accuracy shall be 0.1 micron! Atmospheric pressure is 0.1- 0.2MPa, and the air seal shall be normally open. It is recommended to use the two-level filtration, with the filtration accuracy of 0.5 micron/0.1 micron respectively, and the air filter shall have automatic discharge device.

						Two-pole 380V		
						Outline diagram		
						GDK125-18-24Z/5.5		
Marks	Number of places	Zoning	Modified document number	Signature	Date			
Designed by			Standardized by			Phase mark	Weight	Scale
Reviewed by								
Processed by			Approved by			Total page(s)	Page	



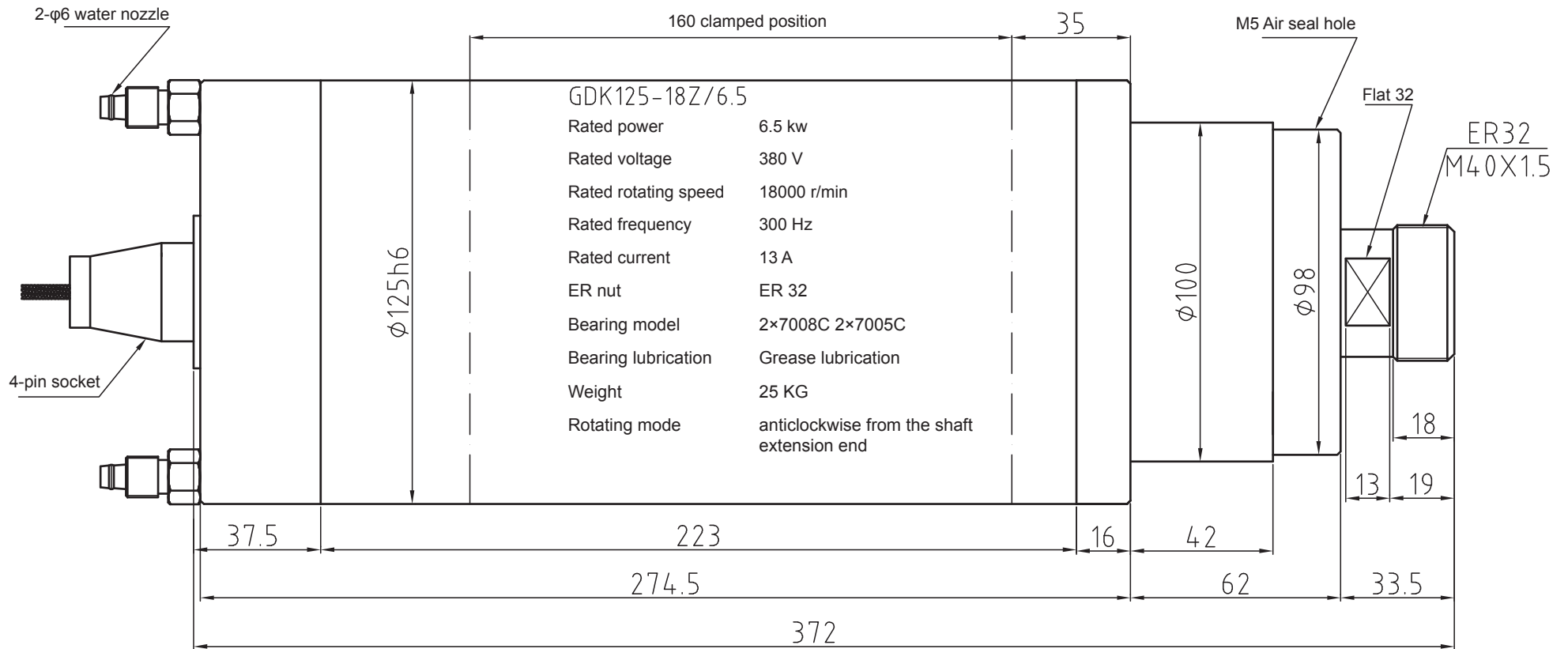
Wiring description

Pin	4-pin socket
1	U frequency converter phase
2	V frequency converter phase
3	W frequency converter phase
4	Wiring ground 

Special warning:

1. The electric main shaft shall be installed at the clamped position; otherwise the bearing will be easily damaged!
2. The compressed air shall be dry and clean, and the filtering accuracy shall be 0.1 micron! Atmospheric pressure is 0.1- 0.2MPa, and the air seal shall be normally open. It is recommended to use the two-level filtration, with the filtration accuracy of 0.5 micron/0.1 micron respectively, and the air filter shall have automatic discharge device.

						Two-pole constant torque 220V		
						Outline diagram		
						GDK125-18Z/6.5		
Marks	Number of places	Zoning	Modified document number	Signature	Date			
Designed by			Standardized by			Phase mark	Weight	Scale
Reviewed by								
Processed by			Approved by			Total page(s)	Page	



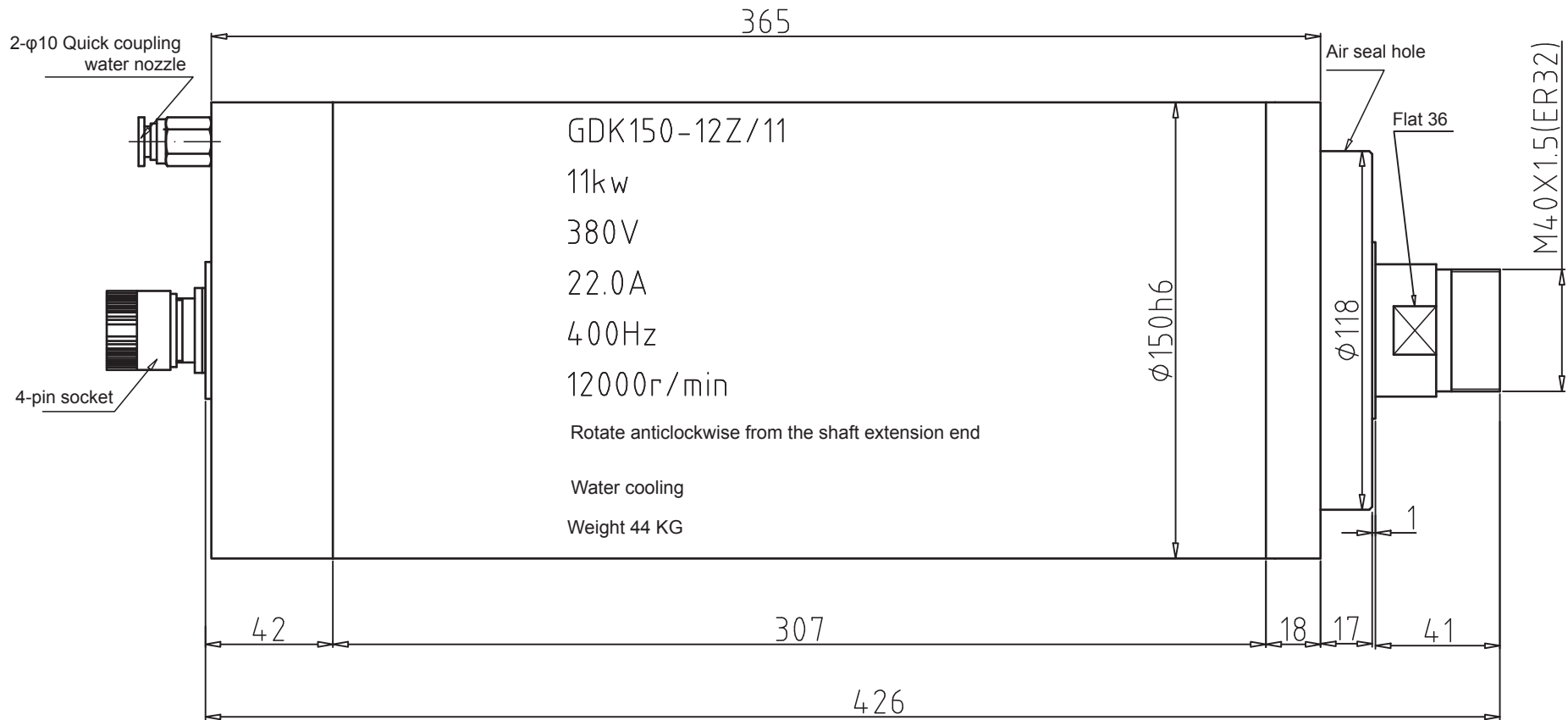
Wiring description

Pin	4-pin socket
1	U frequency converter phase
2	V frequency converter phase
3	W frequency converter phase
4	Wiring ground

Special warning:

- The electric main shaft shall be installed at the clamped position; otherwise the bearing will be easily damaged!
- The compressed air shall be dry and clean, and the filtering accuracy shall be 0.1 micron! Atmospheric pressure is 0.1- 0.2MPa, and the air seal shall be normally open. It is recommended to use the two-level filtration, with the filtration accuracy of 0.5 micron/0.1 micron respectively, and the air filter shall have automatic discharge device.

						Two-pole constant torque 380V		
						Outline diagram		
						GDK125-18Z/6.5		
Marks	Number of places	Zoning	Modified document number	Signature	Date			
Designed by			Standardized by			Phase mark	Weight	Scale
Reviewed by								
Processed by			Approved by			Total page(s)	Page	



Wiring description

Pin	4-pin socket
1	U frequency converter phase
2	V frequency converter phase
3	W frequency converter phase
4	Wiring ground ⊕

									Outline diagram
Marks	Number of places	Zoning	Modified document number	Signature	Date				
Designed by			Standardized by			Phase mark	Weight	Scale	
Reviewed by									
Processed by			Approved by			Total page(s)	Page	GDK150-12Z/11	