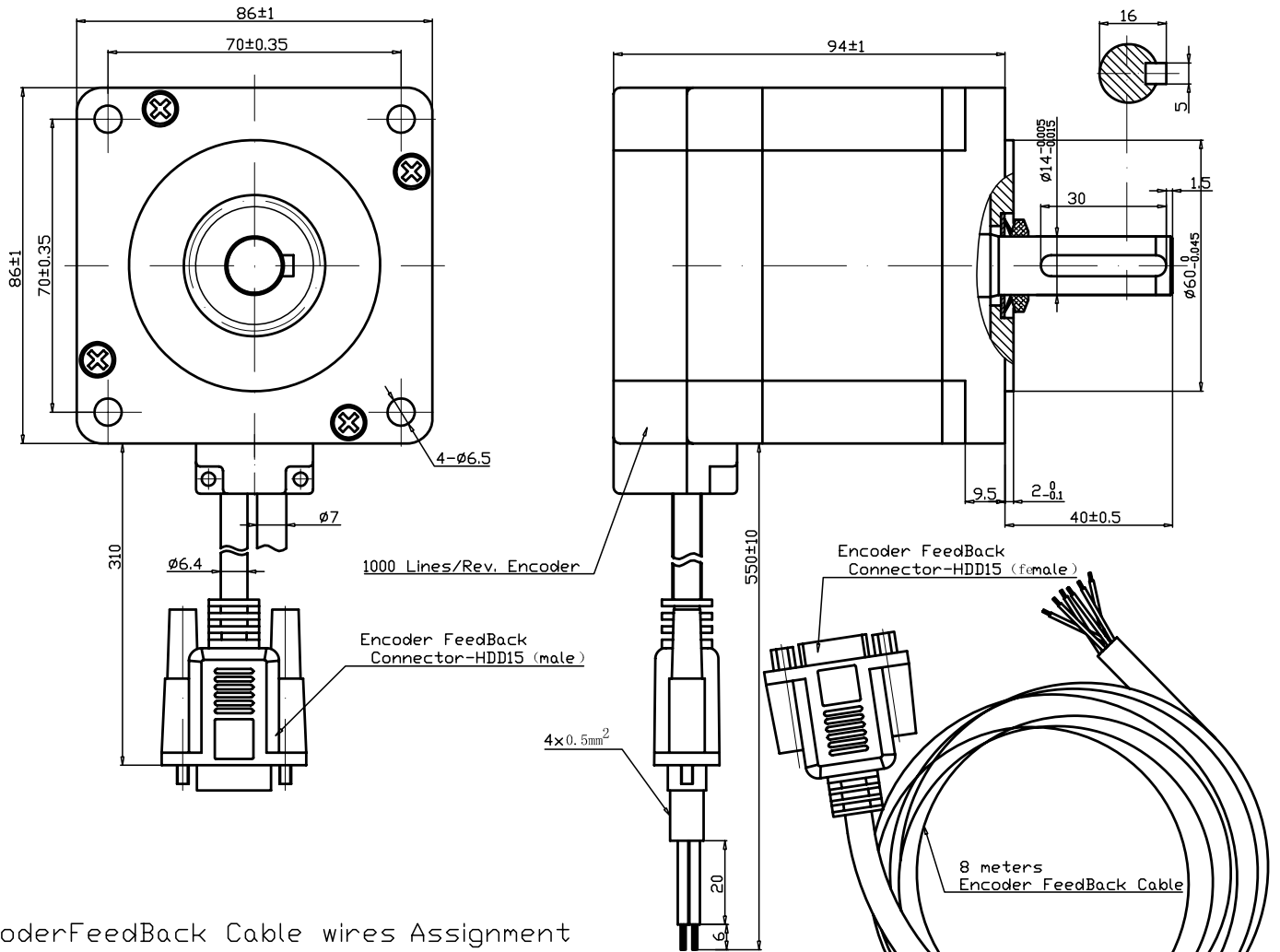


STEPPING MOTORS TYPE 86BHH76-380P-40Mp

SPECIFICATIONS				WIRING DIAGRAM
STEP ANGLE	1.8°±5%	VOLTAGE	1.52V	
NO. of PHASE	2	CURRENT/PHASE	3.8 A	
Inultion Resistant	100MΩ(500VDC)	INDUCTANCE/PHASE	3.4±20%mh	
Ambient Temperature	-25~40℃	RESISTANCE/PHASE	0.4 ± 10%Ω	
Operate_Temperature	120℃ Max	HOLDING_TORQUE	35kg.cm	
Motor Weight	2.3kg Max			
Cable Weight	0.5kg Max			

FIGURE UNIT:mm



EncoderFeedBack Cable wires Assignment

Color	Name	I/O	Description
Red	VCC	I	+5V@100 mA max
White	EGND	GND	Signal ground and power ground
Blue	EA-	□	Encoder channel A- output
Black	EA+	□	Encoder channel A+ output
Green	EB-	□	Encoder channel B- output
Yellow	EB+	□	Encoder channel B+ output